

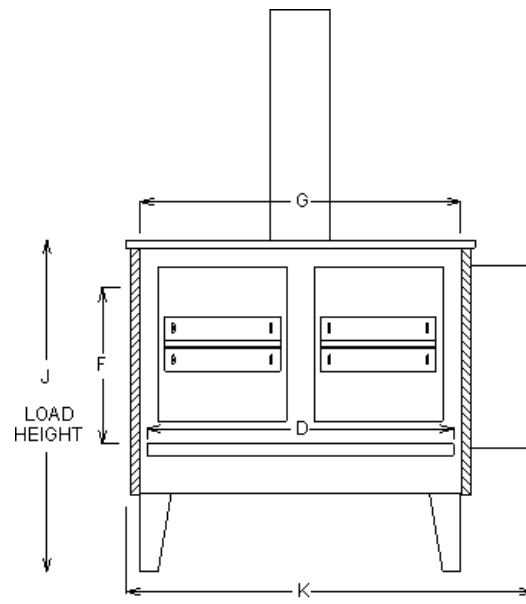
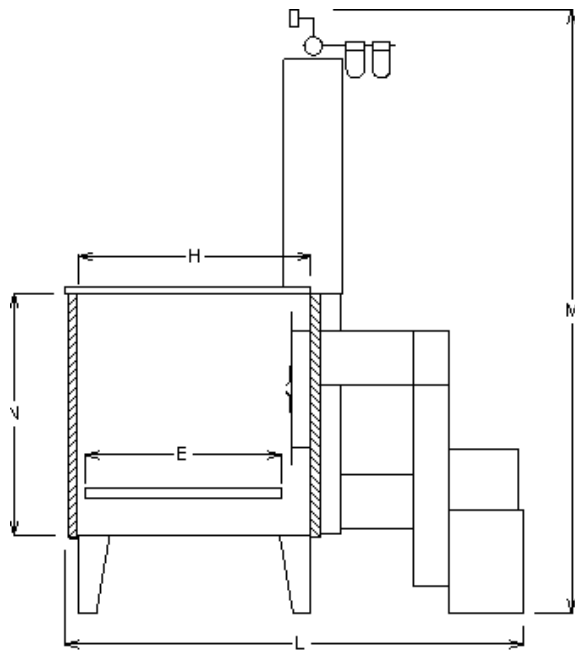
MK Series Specifications					
Model	MK16	MK24	MK30	MK36	MK48
<b>Working Zones</b>					
Length (D)	16"	22"	28"	34"	46"
Width (E)	21"	21"	17"	21"	21"
Depth (F)	16"	16"	13"	16"	16"
Liquid capacity	40 gal.	60 gal.	40 gal.	90 gal.	120 gal.
<b>Overall machine</b>					
Length (K) - see notes	21"	27"	33"	39"	51"
Width (L) - see notes	35"	35"	29"	35"	35"
Height (M)	68"	68"	57"	68"	68"
Load height (J)	36.5"	36.5"	30.6"	36.5"	36.5"
<b>Tank inside</b>					
Length (G)	18"	24"	30"	36"	48"
Width (H)	26"	26"	22"	26"	26"
Depth (N)	27"	27"	21"	27"	27"
<b>Basket (recommended size - other baskets may be used)</b>					
Length (D)	10	18	24	30	42
Width (E)	18	18	13.5	18	18
Depth (F)	6	6	6	8	8

## Engineering Data

Model	MK16	MK24	MK30	MK36	MK48
<b>Construction</b>					
Wall thickness	12 ga.	12 ga.	12 ga.	12 ga.	12 ga.
<b>Heating Data</b>					
Electric - kW/hr.	6	6	6	9	9
Amps (240/1/60)*	28	28	28	38	38
Amps (240/3/60)*	15	15	15	22	22
Amps (480/3/60)*	10	10	10	14	14
Steam - pounds/hr.	23	28	20	45	55
Steam pressure	15	15	15	15	15
<b>Air requirements</b>					
Pressure (psi)	80 - 125	80 - 125	80 - 125	80 - 125	80 - 125
Load	150 lbs.	150 lbs.	150 lbs.	150 lbs.	150 lbs.
Inlet valve	1/4"	1/4"	1/4"	1/4"	1/4"
Air cylinder	2"	2"	2"	2"	2"
<b>Agitation</b>					
Strokes per minute	20 - 240	20 - 240	20 - 240	20 - 240	20 - 240
Short stroke	2" - 4"	2" - 4"	2" - 4"	2" - 4"	2" - 4"
Long stroke	5" - 9"	5" - 9"	5" - 9"	5" - 9"	5" - 9"
Drain	1"	1"	1"	1"	1"
Overflow	1"	1"	1"	1"	1"
SurfaceSweep	1 1/2"	1 1/2"	1 1/2"	1 1/2"	1 1/2"
Fill	3/4"	3/4"	3/4"	3/4"	3/4"

**Notes:**

1. Strokes are pressure variable.
2. Machine overall dimensions do not include optional items.
3. Amperage is for electrically heated machines and does not include optional items.
4. Add 12" to L dimension for Turbo/Filter.
5. Add 24" to L dimension for Oil Removal System.
6. Add 18" to K dimension for electrical panel outrigger.
7. The engineering data and dimensions are typical and may vary slightly.



RIGHT SIDE VIEW

FRONT VIEW

## MK Dryers Specifications

Model

MK16EBSS

MK24EBSS

MK30EBSS

MK36EBSS

MK48EBSS

### Working Zones

Length (D)	16"	22"	28"	34"	46"
Width (E)	21"	21"	17"	21"	21"
Depth (F)	15"	16"	13"	16"	16"

### Overall machine with control panel

Length (K) - see notes	29"	35"	41"	47"	59"
Width (L) - see notes	55"	56"	50"	58"	58"
Height (M)	68"	68"	57"	68"	68"
Load height (J)	36.5"	36.5"	30.6"	36.5"	36.5"

### Tank inside

Length (G)	18"	24"	30"	36"	48"
Width (H)	26"	26"	22"	26"	26"
Depth (N)	27"	27"	21"	27"	27"

### Basket (recommended size - other baskets may be used)

Length (D)	10	18	24	30	42
Width (E)	18	18	13.5	18	18
Depth (F)	6	6	6	8	8

## Engineering Data

Model	MK16EBSS	MK24EBSS	MK30EBSS	MK36EBSS	MK48EBSS
<b>Construction</b>					
Wall thickness	12 ga.	12 ga.	12 ga.	12 ga.	12 ga.
<b>Heating Data</b>					
Electric - kW/hr.	9	18	18	18	18
Number of heaters	6	12	12	12	12
Amps (240/3/60)*	26	48	48	52	52
Amps (480/3/60)*	13	24	24	26	26
<b>Air Blowoff</b>					
Horsepower	1	1	1	3	3
CFM	400 @ 6" S.P.	500 @ 5" S.P.	500 @ 5" S.P.	800 @ 6" S.P.	1000 @ 3" S.P.
<b>Air requirements</b>					
Pressure (psi)	80 - 125	80 - 125	80 - 125	80 - 125	80 - 125
Load	150 lbs.	150 lbs.	150 lbs.	150 lbs.	150 lbs.
Inlet valve	1/4"	1/4"	1/4"	1/4"	1/4"
Air cylinder	2"	2"	2"	2"	2"
<b>Agitation</b>					
Strokes per minute	20 - 240	20 - 240	20 - 240	20 - 240	20 - 240
Short stroke	2" - 4"	2" - 4"	2" - 4"	2" - 4"	2" - 4"
Long stroke	5" - 9"	5" - 9"	5" - 9"	5" - 9"	5" - 9"
Drain	1"	1"	1"	1"	1"

**Notes:**

1. Strokes are pressure variable.
2. Machine overall dimensions do not include optional items.
3. Amperage is for electrically heated machines and does not include optional items.
4. Add 10" to K dimension for electrical panel outrigger.
5. The engineering data and dimensions are typical and may vary slightly.